



MOTOROLA
intelligence everywhere™

FTN6083A

Dashboard Mount Kit



Mobile Dashboard Mounting

CAUTION: The Installation Manual should be referred to for more detailed information on warnings and safety.

To Install the Frame into the Dashboard

1. Open up the radio cut-out in the dashboard to ISO 7736 specification (182mm x 53mm).
2. Insert the mounting frame into the cut-out and retain it by bending back the relevant fixing tabs (using all 6 where possible). Check that the orientation of the frame is correct by ensuring that the word 'TOP', is uppermost.

- NOTE**
1. The tabs are easily bent back by twisting a large flat-head screwdriver in the slot behind the tabs.
 2. For a more secure installation the frame should also be secured with the appropriate number of screws to the mounting conditions (minimum 1).
 3. The demounting tool can be used as an aid to mounting as well as demounting.

To Mount the Radio in the Frame (Figure 1)

1. Provide the electrical connections for the radio (power, antenna, accessories).
2. Plug in all the connectors and push the radio firmly into the mounting frame until the two springs snap into place.

To Remove the Radio / Remote Mount from the Frame

1. Push the two demounting tools through the openings in the frame until the two springs release the radio.
2. Slide out the radio.

- NOTE**
1. The fixing tabs should be checked for tightness each time the radio is removed. The tabs are easily tightened by twisting a large flat-head screwdriver in the slot behind the tabs.
 2. The frame is not designed for regular mounting and demounting.

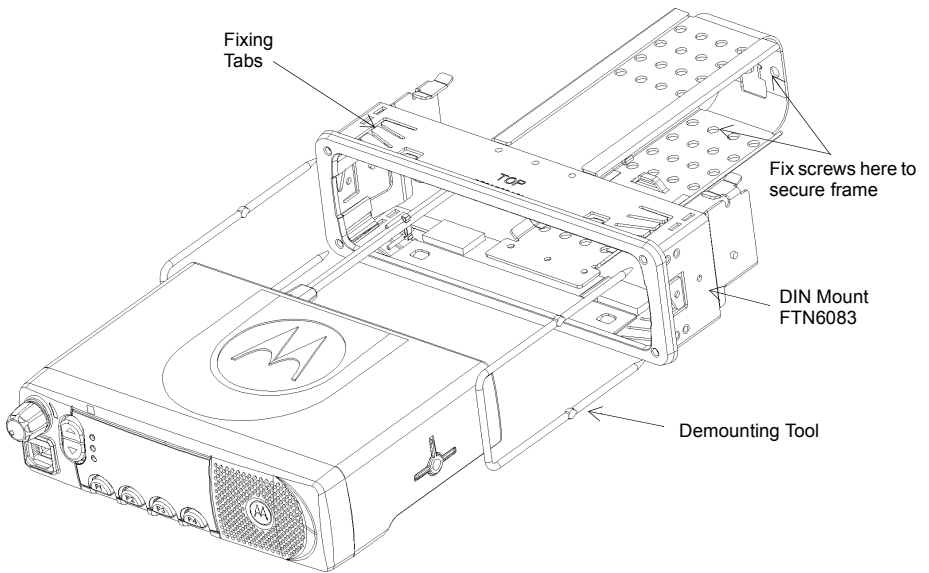


Figure 1 Fitting Complete Radio into Mounting Frame

NOTE Specifications are subject to change without notice. Contact your Motorola dealer for the latest specifications.

© 2003 by Motorola, Inc.
Radio Products Group
Jays Close, Viabes Industrial Estate,
Basingstoke, Hampshire RG22 4PD United Kingdom



and Motorola are registered trademarks of Motorola Inc.
Professional Radio and GP are trademarks of Motorola
Inc.

All Rights Reserved.



6866547D01